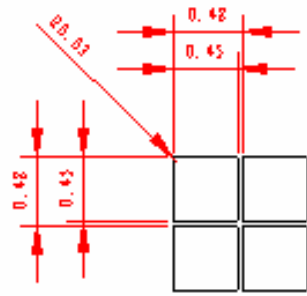


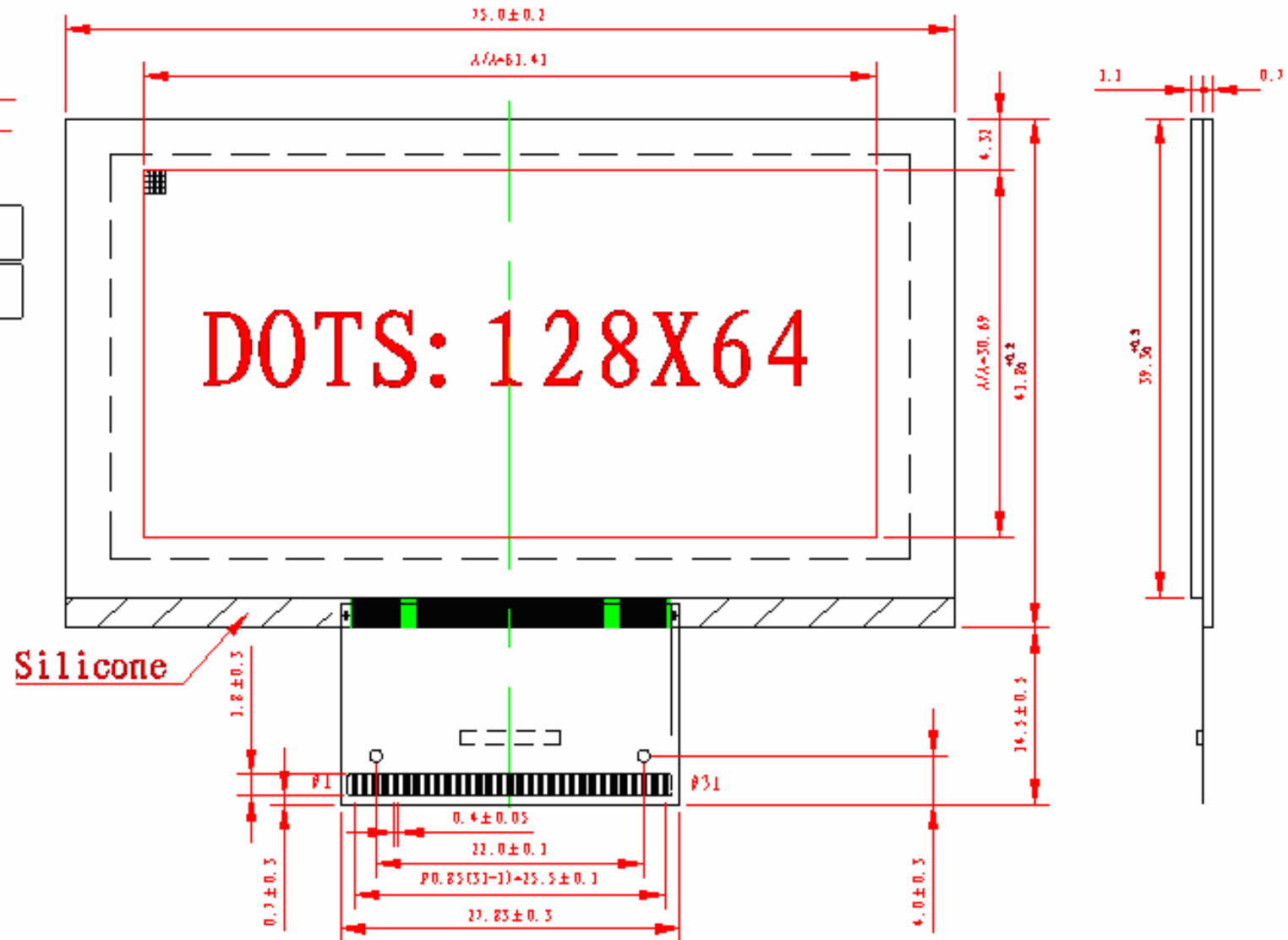


# OLED

# MI12864DO



detail

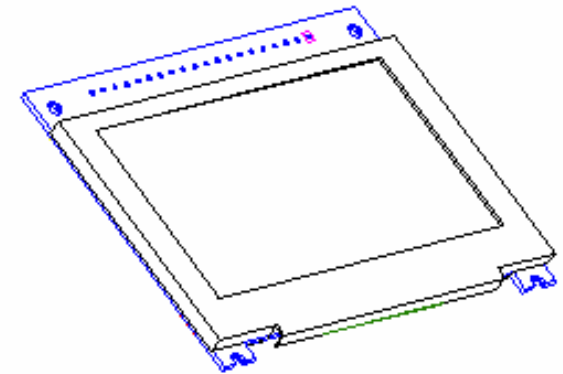
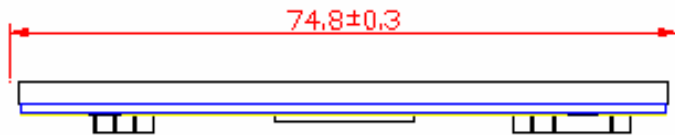
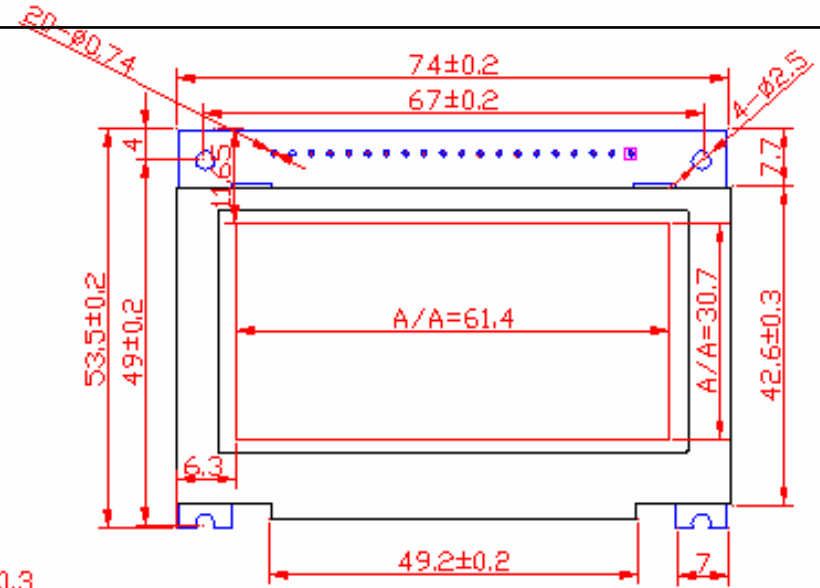
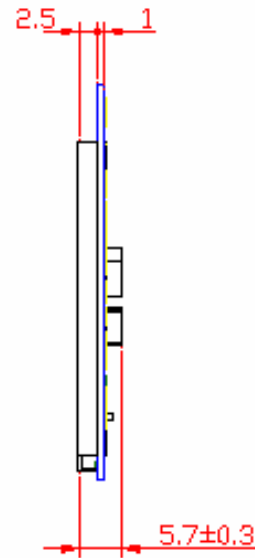
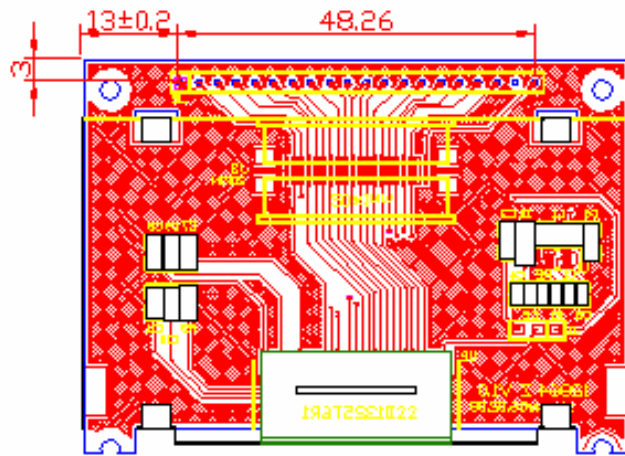


CUSTOMER APVL	CUSTOMER	DATE	
DRAWN	SCALE	TITLE	
DFTG CHK	UNIT	MI12864DO	
ENGR CHK	mm	MODEL	
APPROVAL			
MULTI-INNO TECHNOLOGY CO.,LTD.		DWG NO	PAGE
			1/1



# OLED

# MI12864DO

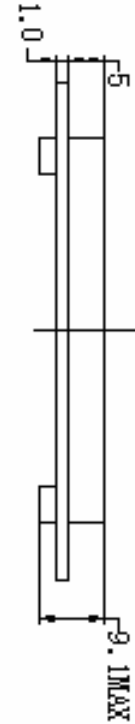
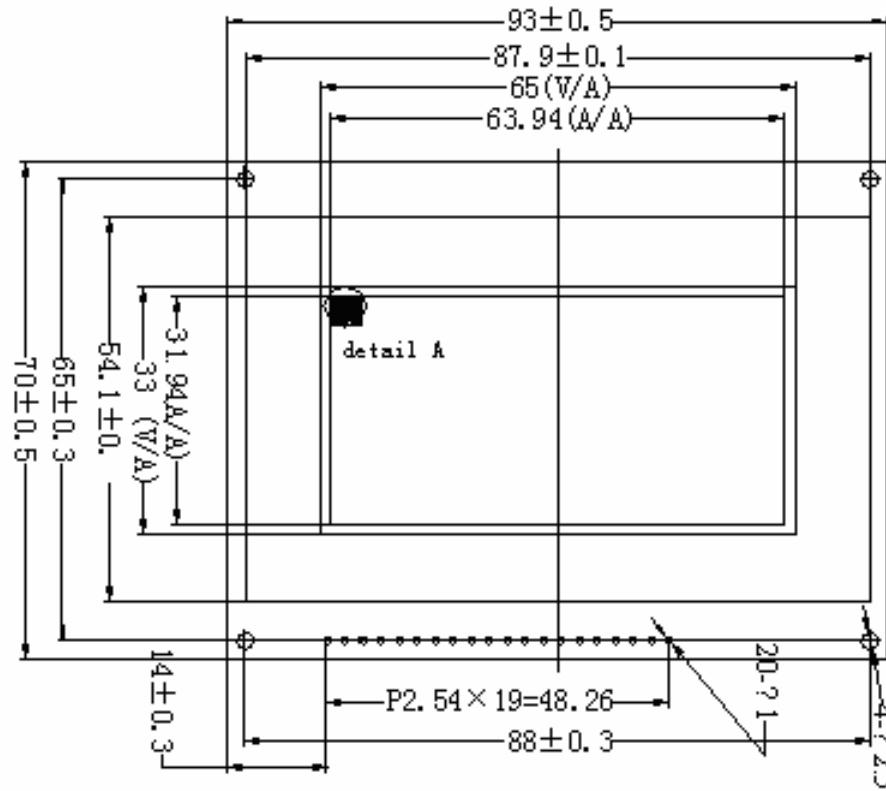


CUSTOMER APVL	CUSTOMER	DATE	
DRAWN	SCALE	TITLE	
DFTG CHK	UNIT	MI12864DO	
ENGR CHK	mm	MODEL	
APPROVAL		DWG NO	PAGE
MULTI-INNO TECHNOLOGY CO.,LTD.			1/1



# OLED

# MI12864DO



20	19	18	17	16	15	14	13	12	11	10	9	8	7	6	5	4	3	2	1
FG	NC	MS	M80	RES	CS	DE7	DE6	DE5	DE4	DE3	DE2	DE1	DE0	E	R/W	D\C	VCC	VDD	GND

CUSTOMER APVL	CUSTOMER	DATE		
DRAWN	SCALE	TITLE		MI12864DO
DFTG CHK	UNIT	MODEL		
ENGR CHK	mm			
APPROVAL				
MULTI-INNO TECHNOLOGY CO.,LTD.		DWG NO	PAGE	
			1/1	