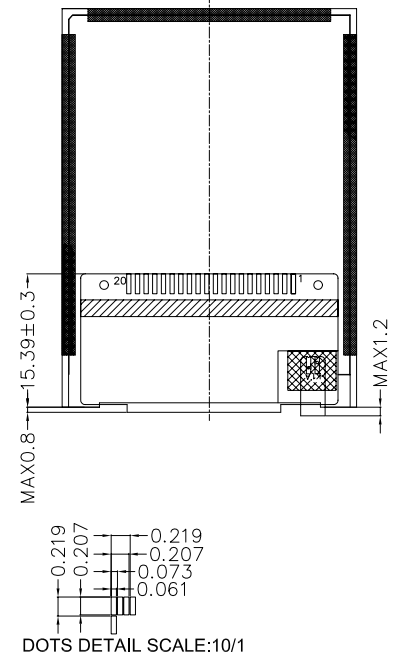
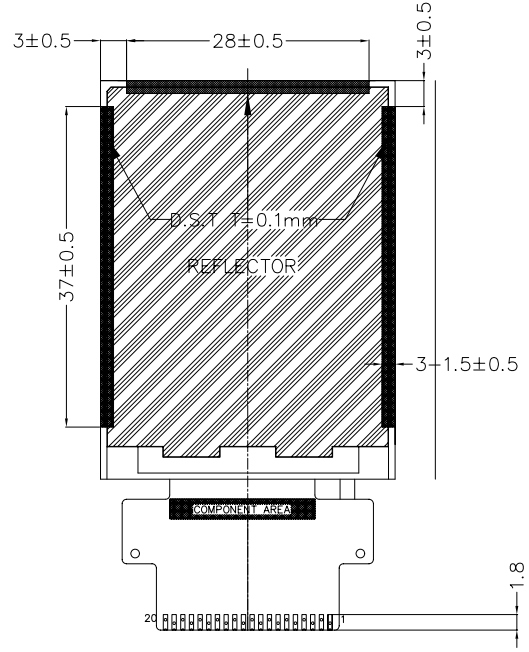
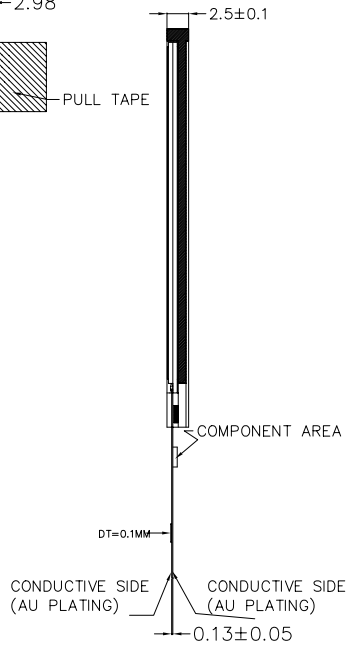
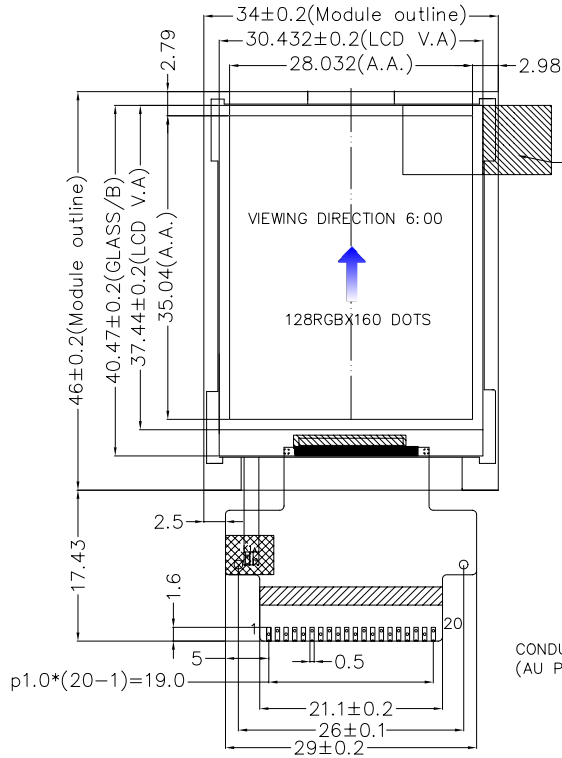


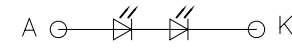


Pin Description

Pin	Name
1	LED_K
2	LED_A
3	GND
4	VDD
5	TE
6	NC
7	/CS
8	/RESET
9	RS
10	/WR
11	/RD
12	DB7
13	DB6
14	DB5
15	DB4
16	DB3
17	DB2
18	DB1
19	DB0
20	GND



CIRCUIT DIAGRAM



1. Display type: TFT,262K Transmissive Normal White 2. Display mode: Transmissive
3. Viewing direction: 6:00
4. Driver IC: ST7735R
5. LogIC Voltage: 3.0±0.2V
6. Backlight: White LED(2-LED Series connetion)
ledV=3.2V,led=15MA
7. Operating temperature: -20°C ~ +70°C
8. Storage temperature: -30°C ~ +80°C
9. Unspecified tolerance is ±0.2mm
10. With "()" are for reference dimension
11. Interface connector: FPC
12. ROHS REQUEST

CUSTOMER APVL	CUSTOMER	DATE	
DRAWN	SCALE	TITLE	
DFTG CHK	UNIT	MI0177JT-1	
ENGR CHK	mm	MODEL	
APPROVAL			
MULTI-INNO TECHNOLOGY CO.,LTD.		DWG NO	PAGE 1/1