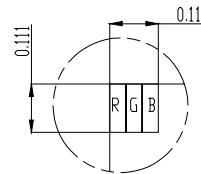
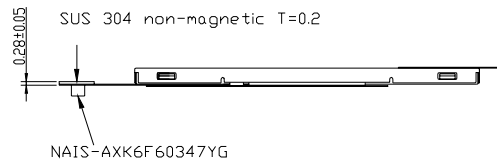
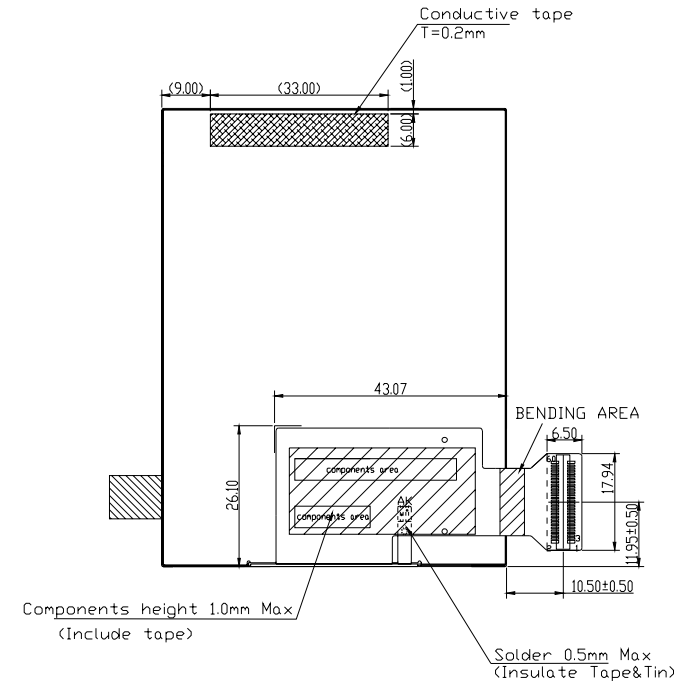
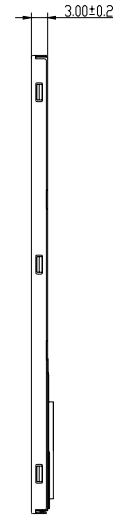
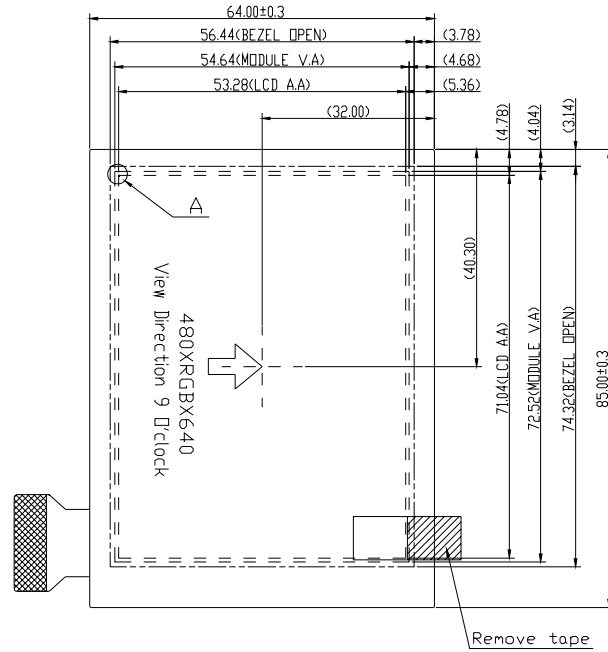
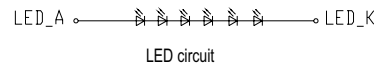




1	GND	26	B04	51	SDA
2	YU	27	B05	52	NC
3	XR	28	GND	53	SCL
4	YD	29	G00	54	VSYNC
5	XL	30	G01	55	HSYNC
6	GND	31	G02	56	NC
7	NC	32	G03	57	NC
8	NC	33	G04	58	LED-
9	GND	34	G05	59	LED+
10	NC	35	GND	60	GND
11	NC	36	R00		
12	NC	37	R01		
13	NC	38	R02		
14	NC	39	R03		
15	GND	40	R04		
16	NC	41	R05		
17	RESET	42	GND		
18	NC	43	VDD		
19	NC	44	NC		
20	VCI	45	GND		
21	GND	46	DCLK		
22	B00	47	GND		
23	B01	48	ENABLE		
24	B02	49	GND		
25	B03	50	CS		



Detail A
Scale:50:1



NOTE:

1. Display Type: a-si TFT, Transmissive
2. Backlight: 6-chips LED
3. Gray Scale Inversion: 3 o'clock;
4. Driver IC: HX8363-A03
5. General Tolerance: ±0.2
6. Requirements on Environment Protection: RoHS Compliant.
7. Recommended Case Open Area should be less than Module V.A

CUSTOMER APVL	CUSTOMER	DATE	
DRAWN	SCALE	TITLE	
DFTG CHK	UNIT	MI0350ACT-5	
ENGR CHK	mm	MODEL	
APPROVAL			
MULTI-INNO TECHNOLOGY CO.,LTD.		DWG NO	PAGE
			1/1