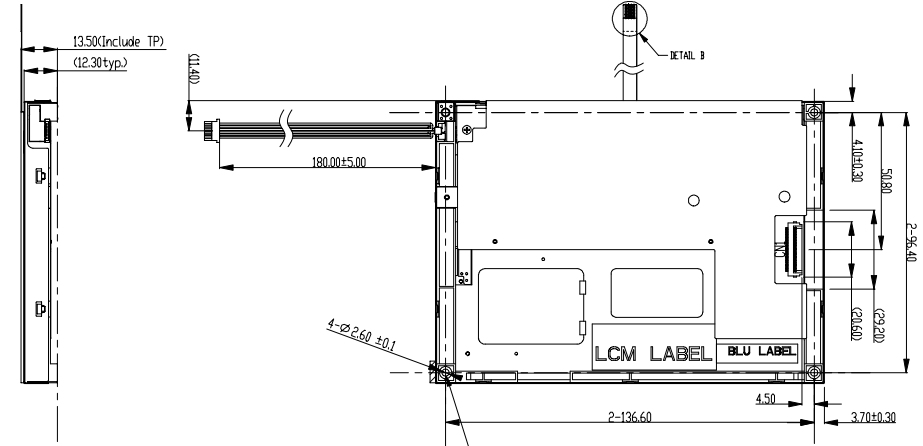
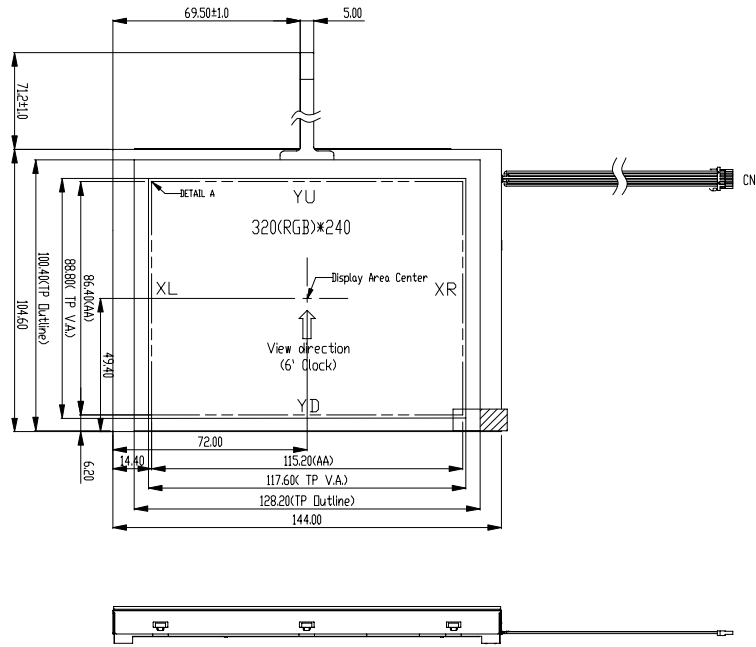
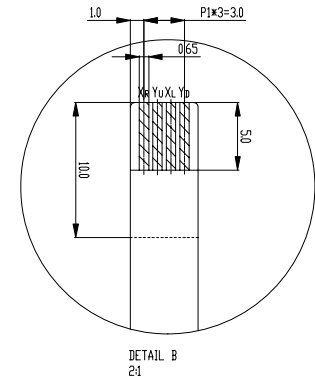
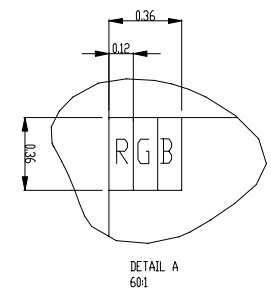
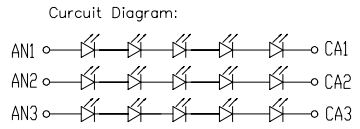
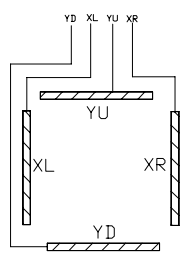




CN1	Pin Assign
1	GND
2	DOTCLK
3	Hsync
4	Vsync
5	GND
6	R0
7	R1
8	R2
9	R3
10	R4
11	R5
12	GND
13	G0
14	G1
15	G2
16	G3
17	G4
18	G5
19	GND
20	B0
21	B1
22	B2
23	B3
24	B4
25	B5
26	GND
27	ENABLE
28	VCC
29	VCC
30	R/L
31	U/D
32	NC
33	GND



The hole for nominal size 3mm self-tapping screw attachment depth 3.5mm(4 point)
Suggested applying torque 0.15~0.2Nm



Notes:
 1. unmarked tolerance:±0.50mm;
 2. Display Type: a-Si TFT ;
 3. Operating Temperature:-20°C~+70°C;
 4. Storage Temperature:-30°C~+80°C;
 5. Gray Scale Inversion: 12 o'clock;
 6. CN2 LED Power source Connector:SHLP-06V-S-B(JST) or Compatible, Mating Connector:SM06B-SHLS-TF(JST) or Compatible;
 7. CN1 Connector type: 089H33-000100-G2-R (STARCONN)
 8. Requirement on Environment Protection:RoHS compliant

CN2	Pin Assign	Symbol	Cable color
1	AN1		Red
2	AN2		Red
3	AN3		Red
4	CA1		White
5	CA2		Blue
6	CA3		Black

CUSTOMER APVL	CUSTOMER	DATE	TITLE
DRAWN	SCALE		MI0570PT-3
DFTG CHK	UNIT	mm	MODEL
ENGR CHK			
APPROVAL			
MULTI-INNO TECHNOLOGY CO.,LTD.			DWG NO
			PAGE 1/1