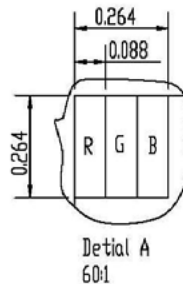
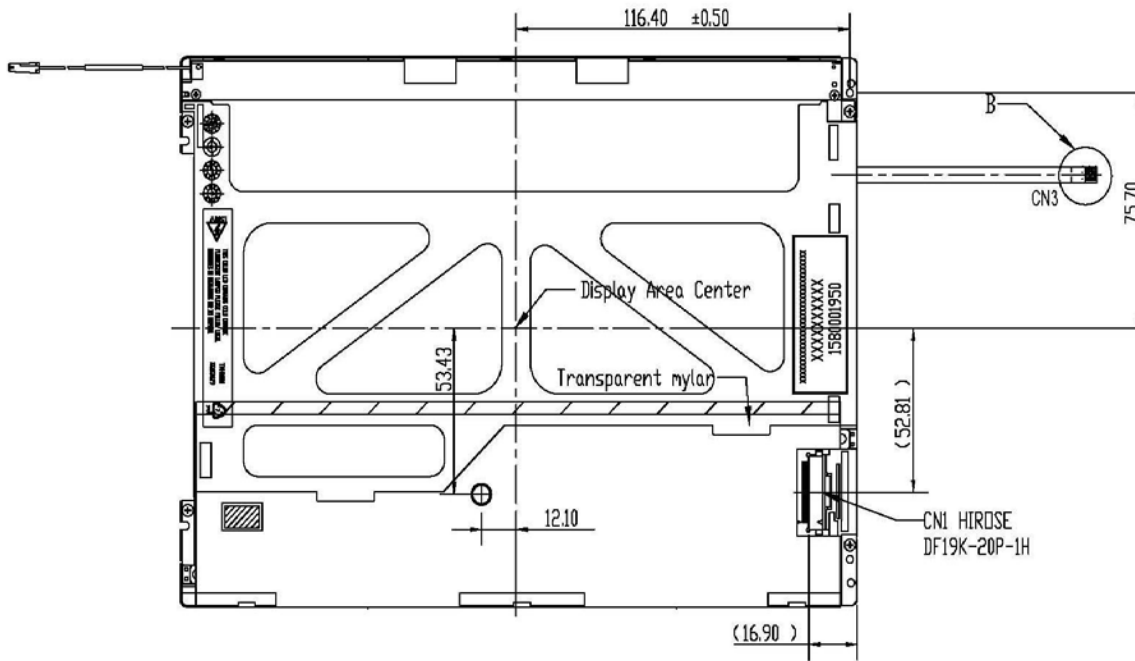


Notes:

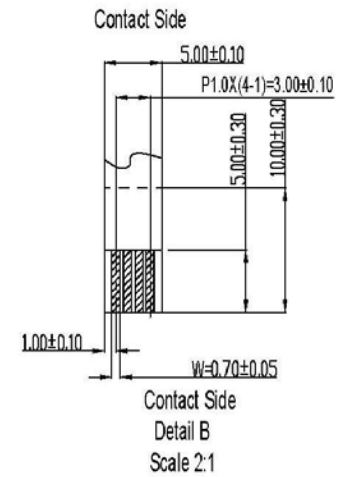
1. General tolerance to be ± 0.3
2. Connector type:
 CN1(20p) connector: HIROSE DF19K-20P-1H
 CN2(BACKLIGHT)CONNECTOR: JST BHSR-02VS-1
 MATING CONNECTOR: JST SM02B-BHSS-1-TB;
 CN3(TSP FPC) Recommended Connector: SFW4R-1STA1-LF
3. Operation Temperature: $-20^{\circ}\text{C} \sim 70^{\circ}\text{C}$
4. Storage Temperature: $-20^{\circ}\text{C} \sim 70^{\circ}\text{C}$
5. Requirement on Environment Protection: RoHS Compliant.



CUSTOMER APVL	CUSTOMER	DATE	
DRAWN	SCALE	TITLE	MI1040GT-3
DFTG CHK	UNIT	mm	
ENGR CHK		MODEL	
APPROVAL			
MULTI-INNO TECHNOLOGY CO.,LTD.		DWG NO	PAGE
			1/2



PIN	OUT
1	Y2
2	X2
3	Y1
4	X1



CUSTOMER APVL	CUSTOMER	DATE	
DRAWN	SCALE	TITLE	MI1040GT-3
DFTG CHK	UNIT mm	MODEL	
ENGR CHK			
APPROVAL			
MULTI-INNO TECHNOLOGY CO.,LTD.			DWG NO
			PAGE 2/2