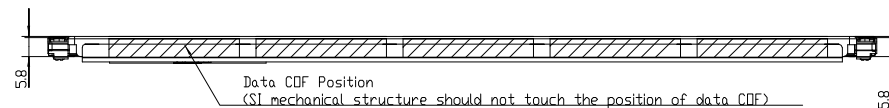
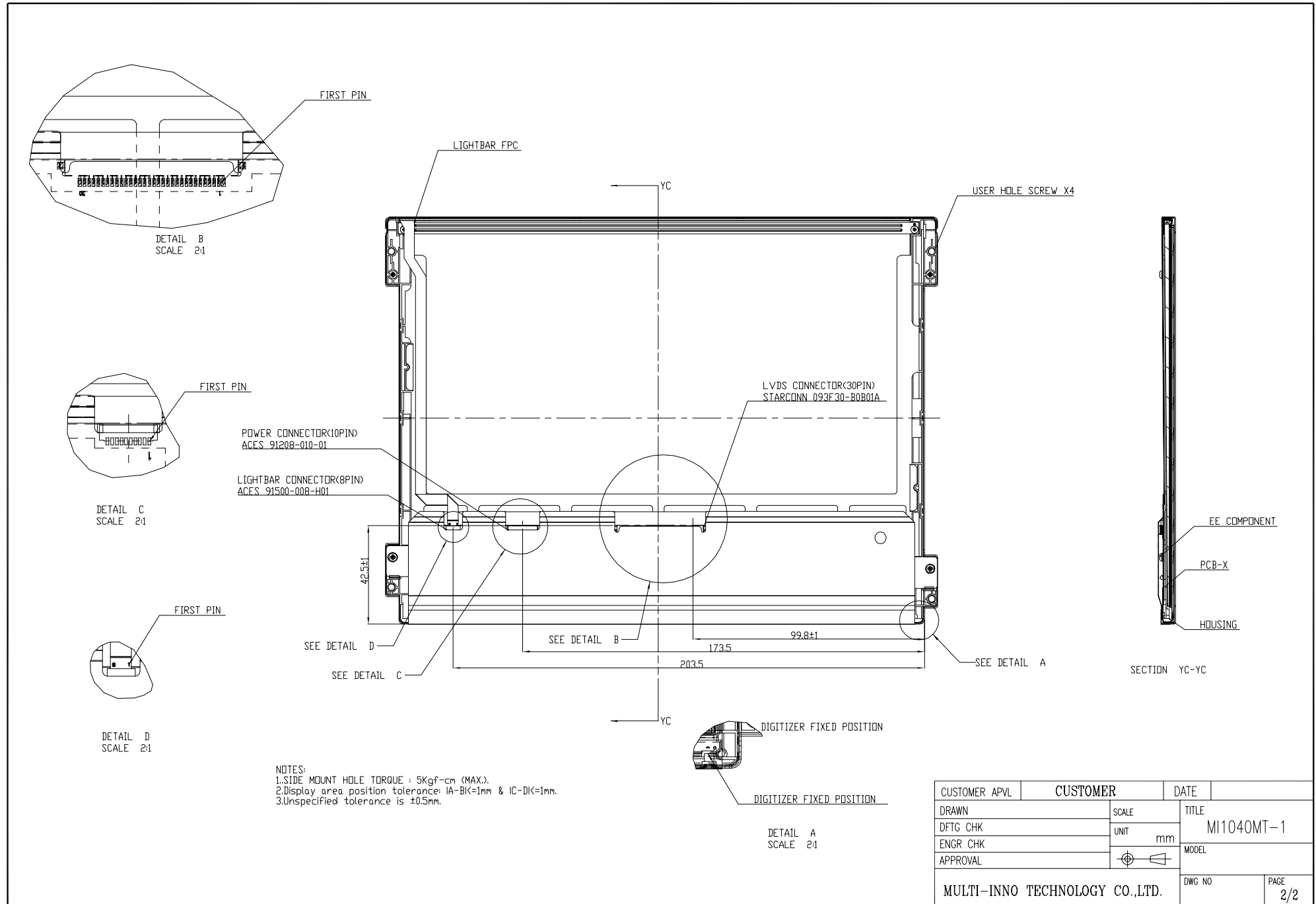


Data CDF Position
(SI mechanical structure should not touch the position of data CDF)



- NOTES:
 1. SIDE MOUNT HOLE TORQUE : 5Kgf-cm (MAX).
 2. Display area position tolerance: IA-BK=1mm & IC-DK=1mm.
 3. Unspecified tolerance is ±0.5mm.

CUSTOMER APVL	CUSTOMER	DATE	
DRAWN	SCALE	TITLE	
DFTG CHK	UNIT	MI1040MT-1	
ENGR CHK	mm	MODEL	
APPROVAL			
MULTI-INNO TECHNOLOGY CO.,LTD.		DWG NO	PAGE
			1/1



CUSTOMER APVL	CUSTOMER	DATE	
DRAWN	SCALE	TITLE	MI1040MT-1
DFTG CHK	UNIT	mm	
ENGR CHK	MODEL		
APPROVAL		DWG NO	PAGE
MULTI-INNO TECHNOLOGY CO.,LTD.			2/2