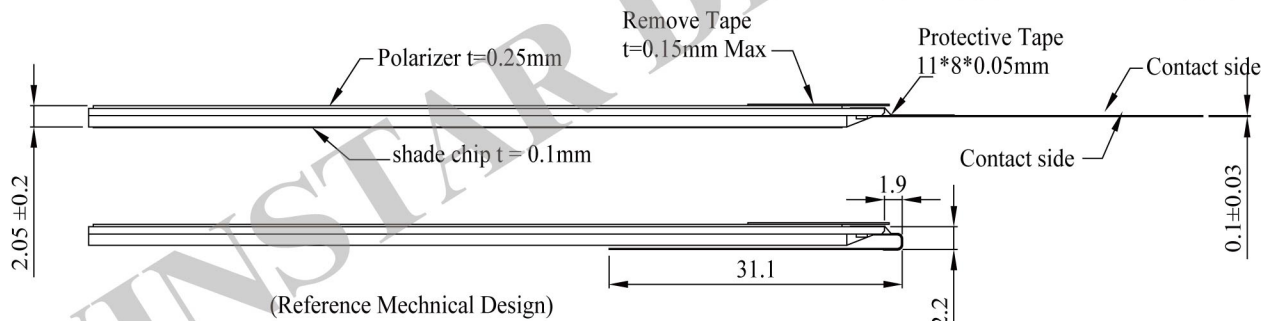
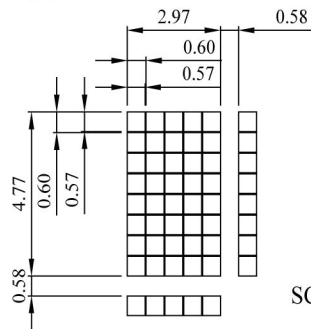


PIN NO.	SYMBOL	PIN NO.	SYMBOL
1	NC	18	D0
2	VSL	19	D1
3	VSS	20	D2
4	REGVDD	21	D3
5	SHLC	22	D4
6	SHLS	23	D5
7	VDD	24	D6
8	VDDIO	25	D7
9	BS0	26	IREF
10	BS1	27	ROM0
11	BS2	28	ROM1
12	GPIO	29	OPR0
13	CS#	30	OPR1
14	RES#	31	VCOMH
15	D/C#	32	VCC
16	R/W#(WR#)	33	NC
17	E(RD#)		



(Reference Mechanical Design)



SCALE:3/1

The non-specified tolerance of dimension is  $\pm 0.3\text{mm}$ .