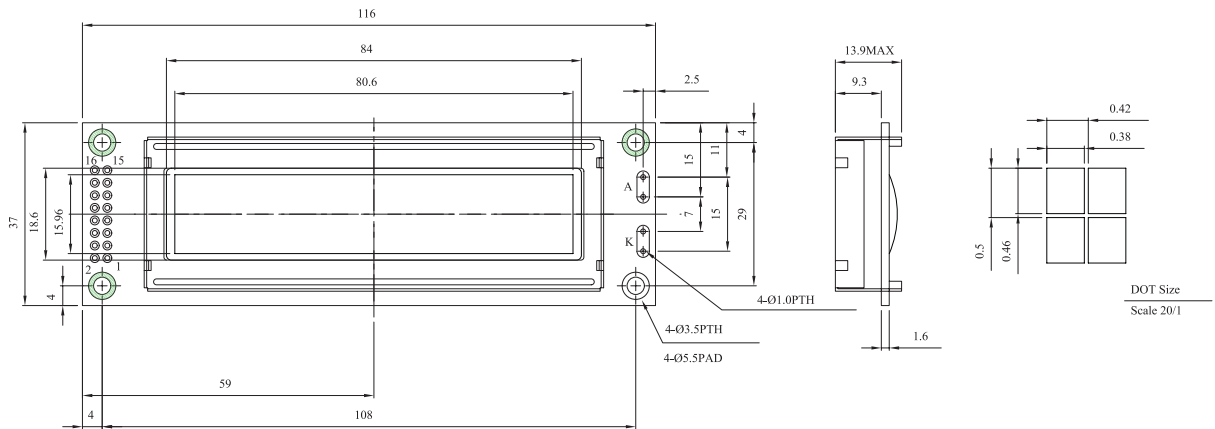




**WG19232B** Graphic 192x32

**Dimension drawing**



Graphic type

**Feature**

1. Built in controller (ST7920)
2. +5V power supply
3. 1/32 duty cycle
4. LED can be driver by PIN 15, PIN16

Pin NO.	Symbol	Function
1	Vss	GND
2	Vdd	Power supply for logic
3	Vo	Operating voltage LCD driving
4	RS	Register select signal
5	R/W	H/L Read/Write signal
6	E	H→L Enable signal
7	DB0	Data bus line
8	DB1	Data bus line
9	DB2	Data bus line
10	DB3	Data bus line
11	DB4	Data bus line
12	DB5	Data bus line
13	DB6	Data bus line
14	DB7	Data bus line
15	A	Power supply for B/L
16	K	Power supply for B/L

**Mechanical Data**

Item	Standard Value	Unit
Module Dimension	116.0x37.0x13.4	mm
Viewing Area	84x18.6	mm
Dot Size	0.38x0.46	mm
Dot Pitch	0.42x0.5	mm
Mounting hole	108x29	mm

**Absolute Maximum Rating**

Item	Symbol	Standard Value			Unit
		min.	typ.	max.	
Power Supply	VDD-VSS	4.75	5	5.25	V
Input Voltage	VI	0	---	VDD	V

Note : VSS=0 Volt, VDD=5.0 Volt.

**Electronical Characteristics**

Item	Symbol	Condition	Standard Value			Unit
			min.	typ.	max.	
Input Voltage	VDD	L level	0.7V <sub>DD</sub>	---	V <sub>DD</sub>	V
	VIO	H level	0	---	0.3V <sub>DD</sub>	V
Supply Current	IDD	VDD=+5V	---	2	---	mA
Recommended LC Driving Voltage for Normal Temp. Version module	Vo-Vss	-20°C	---	---	5.2	V
		0°C	---	---	4.8	
		25°C	---	4.5	---	
		50°C	4.7	---	---	
70°C	3.8	---	---			
LED Forward Voltage	VF	25°C	---	---	---	V
LED Forward Current	IF	25°C	---	---	---	mA
CCFL	VF	25°C	---	---	---	V <sub>rms</sub>
	IF	25°C	---	---	---	mA
EL	IEL	Vel=110vAC;400Hz	---	---	---	mA

