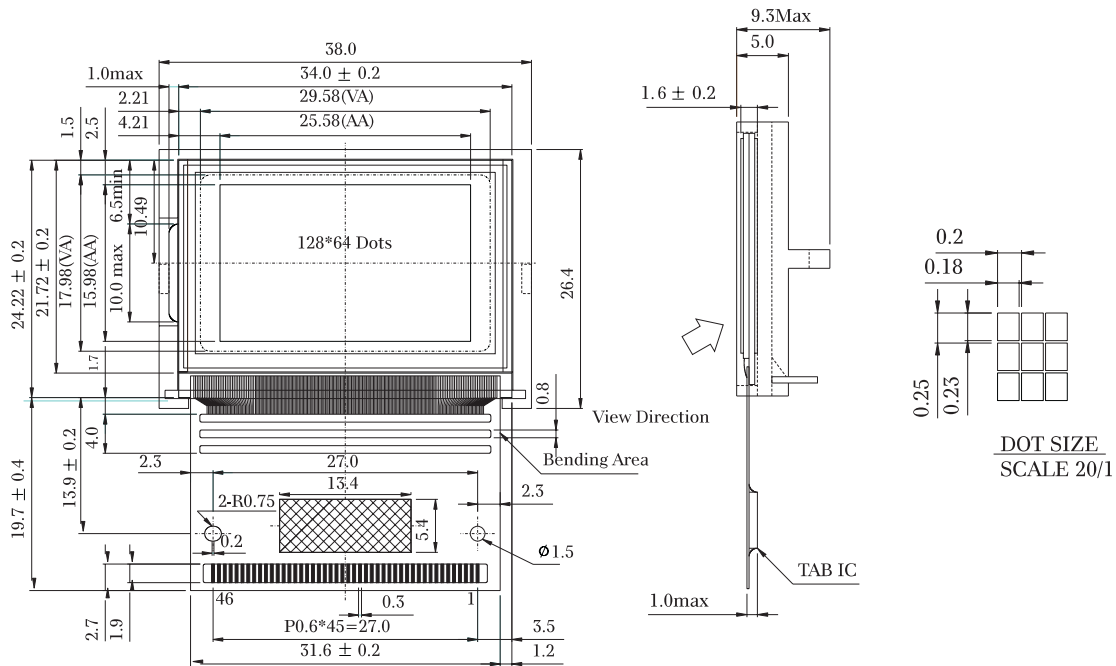




WX12864A Graphic 128x64 dots

Dimension drawing



Feature

1. Built-in controller Samsung- (KS0713)
2. +3V or +5V power supply
3. 1/65 duty cycle

Mechanical Data

Item	Standard Value	Unit
Module Dimension	35.0x24.22	mm
Viewing Area	29.58x17.98	mm
Dot Size	0.18x0.23	mm
Dot Pitch	0.2x0.25	mm

Graphic type

Pin NO.	Symbol	Pin NO.	Symbol
1	NC	24	CLS
2	TEMPS	25	MS
3	INTRS	26	DUTY1
4	HPM	27	DUTY0
5	DCDC5B	28	DB7
6	BSTS	29	DB6
7	V4	30	DB5
8	V3	31	DB4
9	V2	32	DB3
10	V1	33	DB2
11	V0	34	DB1
12	VR	35	DB0
13	C2-	36	E_RD
14	C2+	37	RW_WR
15	C1-	38	RS
16	C1+	39	RESETB
17	C3-	40	CS2
18	C3+	41	CS1B
19	Vout	42	DISP
20	Vdd	43	CL
21	Vss	44	M
22	PS	45	FRS
23	MI	46	NC

Absolute Maximum Rating

Item	Symbol	Standard Value			Unit
		min.	typ.	max.	
Power Supply	VDD-VSS	-2.4	---	5.5	V
Input Voltage	VI	-0.3	---	VDD	V

Note : VSS=0 Volt, VDD=5.0 Volt.

Electronical Characteristics

Item	Symbol	Condition	Standard Value			Unit
			min.	typ.	max.	
Input Voltage	VDD	L level	0.8V _{DD}	---	V _{DD}	V
	VIO	H level	---	---	---	V
Supply Current	IDD	VDD=5V	---	---	---	mA
Recommended LC Driving Voltage for Normal Temp. Version module	VDD-V0	-20°C	9.5	10	10.5	V
		0°C	9.3	9.8	10.3	
		25°C	7.9	8.4	8.9	
		50°C	7.0	7.5	8.0	
LED Forward Voltage	VF	25°C	---	---	---	V
			---	---	---	
LED Forward Current	IF	25°C	---	---	---	mA
EL Power Supply Current	IEL	Vel=110VAC;400Hz	---	---	---	mA

