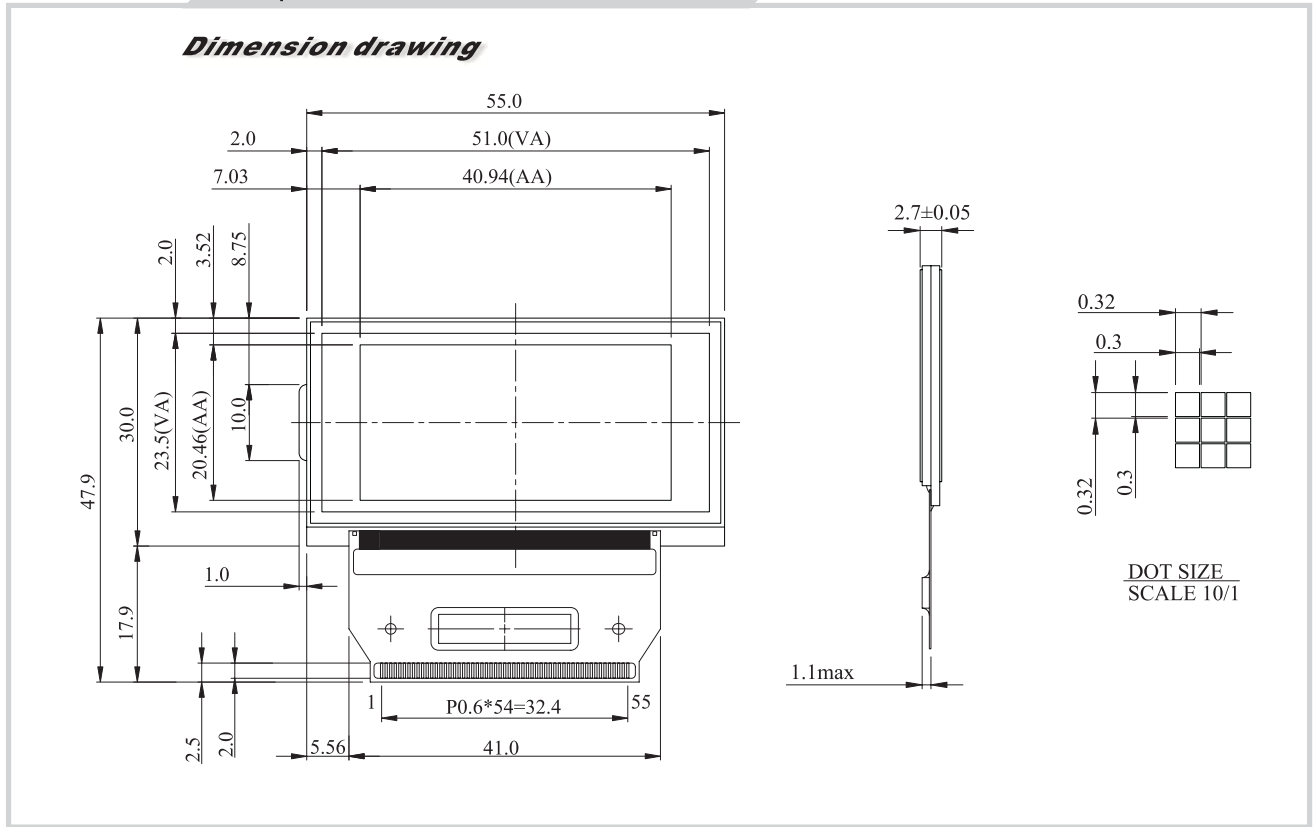




Graphic 128x64dots **WX12864I**



Graphic type

Feature

- 1. Built-in controller Sharp LH155BA
- 2. +3V or +5V power supply
- 3. 1/64 duty cycle

Pin NO.	Symbol	Pin NO.	Symbol
1	NC	29	FLM
2	NC	30	M
3	VO	31	VSS
4	V1	32	OSCO
5	V2	33	OSCI
6	V3	34	VSS
7	V4	35	CK
8	VSS	36	CKS
9	TEST	37	EXA
10	RESB	38	PMODE
11	CSB	39	VDD
12	RS	40	VEE
13	M/S	41	CAP-
14	M86	42	CAP+
15	P/S	43	SVR
16	SDA	44	VEE2
17	SCL	45	SVOUT
18	WRB	46	VEE3
19	RDB	47	VOOUT
20	D0	48	VR1
21	D1	49	VR2
22	D2	50	VD
23	D3	51	VC
24	D4	52	VB
25	D5	53	VA
26	D6	54	NC
27	D7	55	NC
28	LP		

Mechanical Data

Item	Standard Value	Unit
Module Dimension	55x30x2.7	mm
Viewing Area	51x23.5	mm
Mounting hole	0.3x0.3	mm
Dot Pitch	0.32x0.32	mm

Absolute Maximum Rating

Item	Symbol	Standard Value			Unit
		min.	typ.	max.	
Power Supply	VDD-VSS	-2.4	---	5.5	V
Input Voltage	VI	-0.3	---	VDD	V

Note : VSS=0 Volt, VDD=5.0 Volt.

Electronical Characteristics

Item	Symbol	Condition	Standard Value			Unit
			min.	typ.	max.	
Input Voltage	VDD	L level	0.8VDD	---	VDD	V
	VIO	H level	---	---	---	V
Supply Current	IDD	VDD=5V	---	---	---	mA
Recommended LC Driving Voltage for Normal Temp. Version module	VDD-V0	-20°C	9.5	10.0	10.5	V
		0°C	9.3	9.8	10.3	
		25°C	7.9	8.4	8.9	
		50°C	7.0	7.5	8.0	
LED Forward Voltage	VF	25°C	---	---	---	V
		25°C	---	---	---	
LED Forward Current	IF	25°C	---	---	---	mA
EL Power Supply Current	IEL	Vel=110VAC;400Hz	---	---	---	mA

