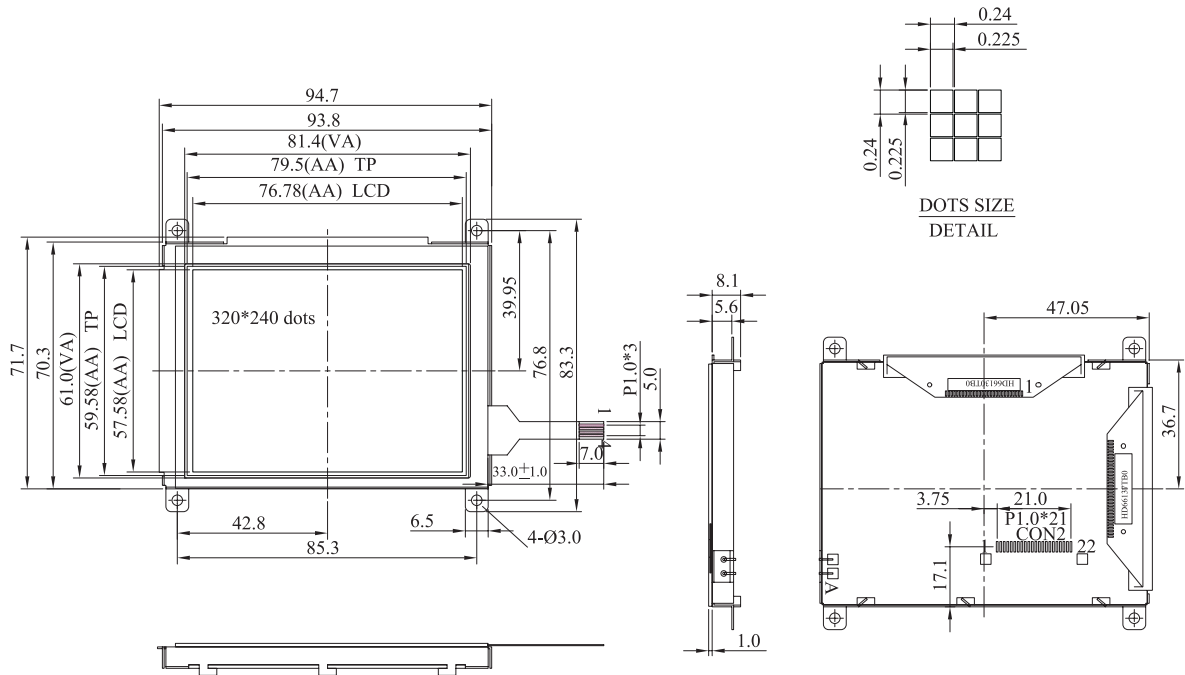




WX320240F Graphic 320x240 dots

Dimension drawing



Graphic type

Feature

- 1. 320x240 dots FSTN
- 2. 4-bit data bus
- 3. 1/240 duty cycle
- 4. Built in P/V output

Pin NO.	Symbol	Function
1	CP	Data latch
2	LP	Data shift
3	FLM	scun start-up signal
4	M	Control signal for AC driving
5	D0	Date bus line
6	D1	Date bus line
7	D2	Date bus line
8	D3	Date bus line
9	VLCD	Power supply for LCD
10	VCC	Power supply for logic
11	VSS	GNO
12	BLE	H:EL Enable L:EL Disable
13	K	Power supply for B/L
14	A	Power supply for B/L
15	DISP	Display Enable Signal
16	VEE/FR	FRAME

Mechanical Data

Item	Standard Value	Unit
Module Dimension	94.7x71.7	mm
Viewing Area	81.4x61.0	mm
Dot Size	0.225x0.225	mm
Dot Pitch	0.24x0.24	mm
Mounting hole	85.3x83.3	mm

Absolute Maximum Rating

Item	Symbol	Standard Value			Unit
		min.	typ.	max.	
Power Supply	VDD-VSS	3.3	3.5	3.6	V
Input Voltage	VI	0.8VDD	---	VDD	V

Electronical Characteristics

Item	Symbol	Condition	Standard Value			Unit
			min.	typ.	max.	
Input Voltage	VDD	L level	0.8VDD	---	VDD	V
	VIO	H level	VSS	---	0.2VDD	V
Supply Current	IDD	VDD=3.5V	---	1.3	---	mA
Recommended LC Driving Voltage for Normal Temp. Version module	Vo-Vss	-20°C	---	---	---	V
		0°C	---	---	---	
		25°C	---	21.6	---	
		50°C	---	---	---	
		70°C	---	---	---	

